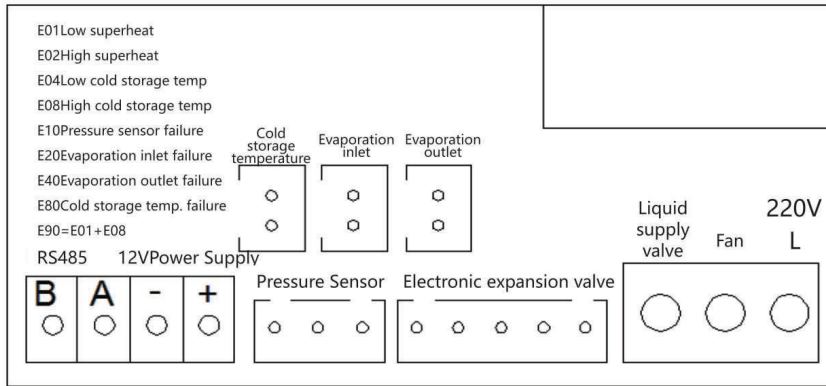
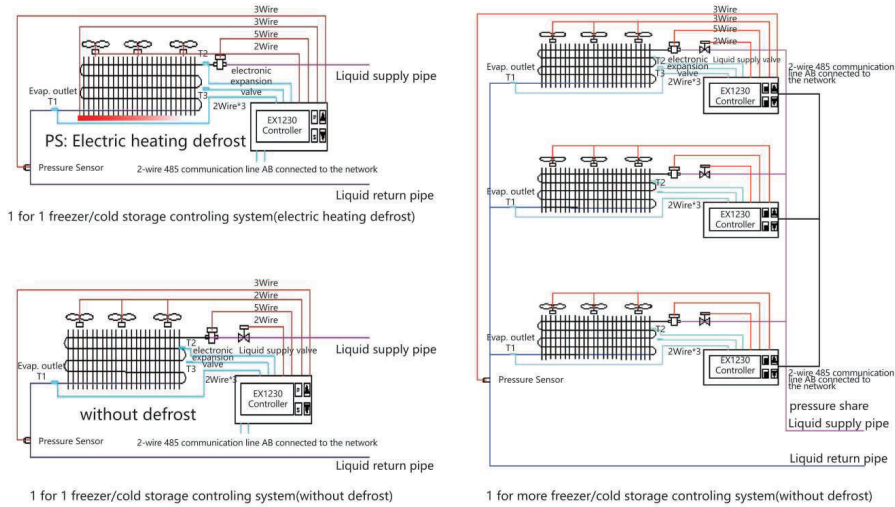


Structure



Application



length 78 \* width 34.5 \* depth 71 (mm)

Pressure sensor



Current type (P224A)

Voltage type (P321)

Product Description

Used to check the pressure value of refrigerating system condition

Features

- EMC/EMI adapts frequency conversion environment application;
- Instantaneous protective voltage: DC16V;
- Compatible with multiple refrigerants, wide application range;
- Power supply reverse connection protection;
- Anti-condensation design for current type pressure sensor

Technical Parameters

Model	P224A	P321
Working Voltage	24VDC (15~32VDC)	5±0.25VDC
Output Signal	4~20mA	0.5~4.5VDC
Media Temperature	-40°C~125°C	
Service Life	more than 10,000,000 times	
Long-term stability	±0.5%FS/Year	
Protection level	IP66	