

Part number:

**HYDROMA**

HYDRAULICKÉ SYSTÉMY

**HIDROMA  
SYSTEMS**

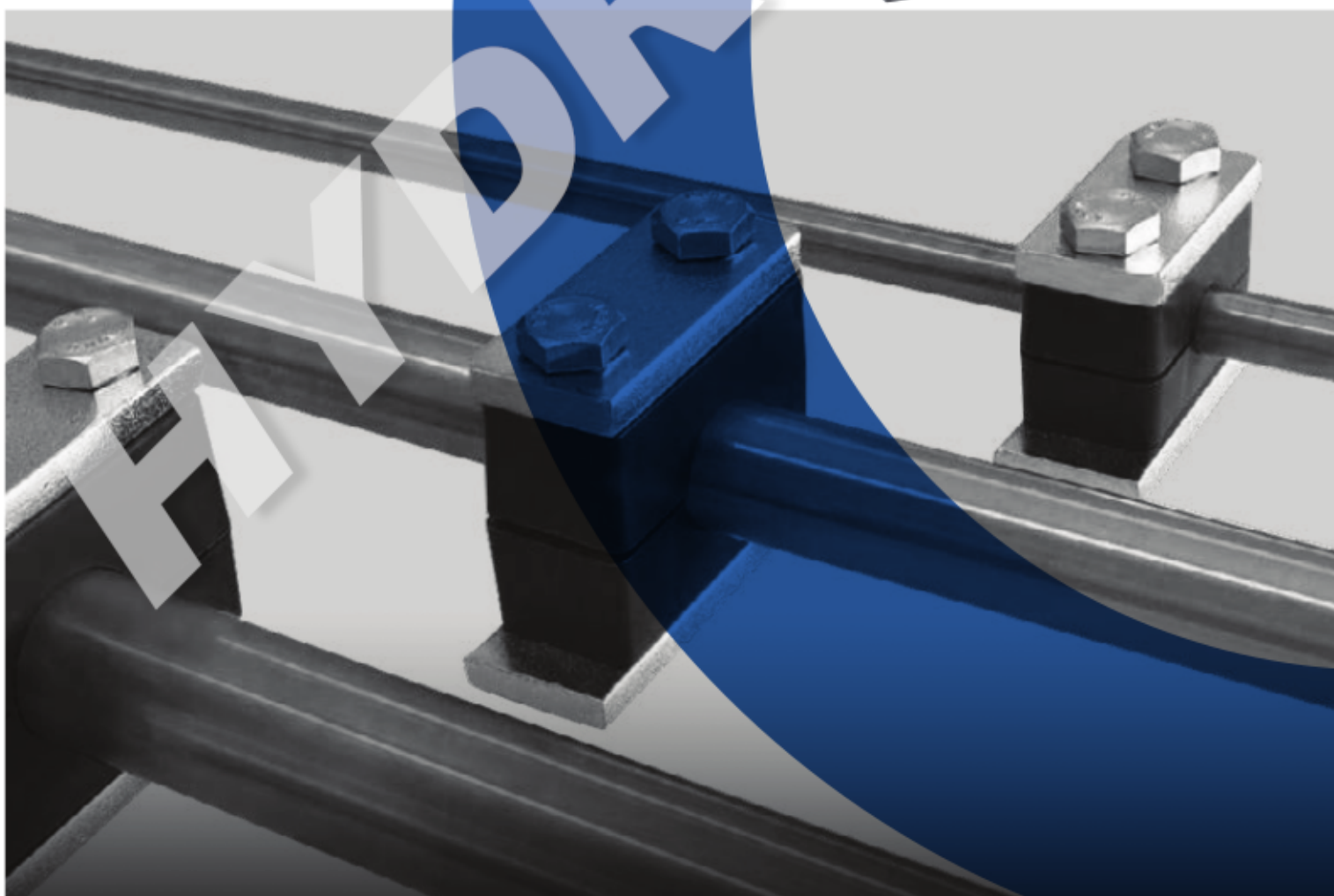
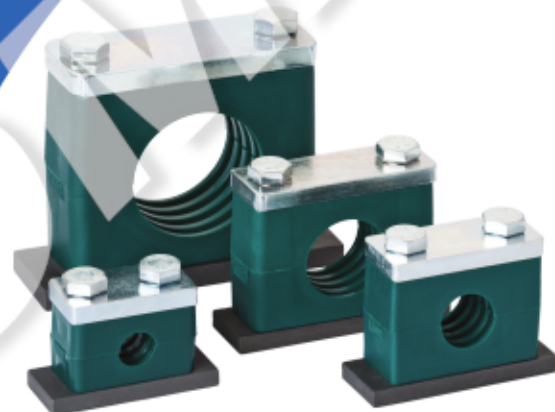
UKŁADY HYDRAULICZNE

**HYDROMA**

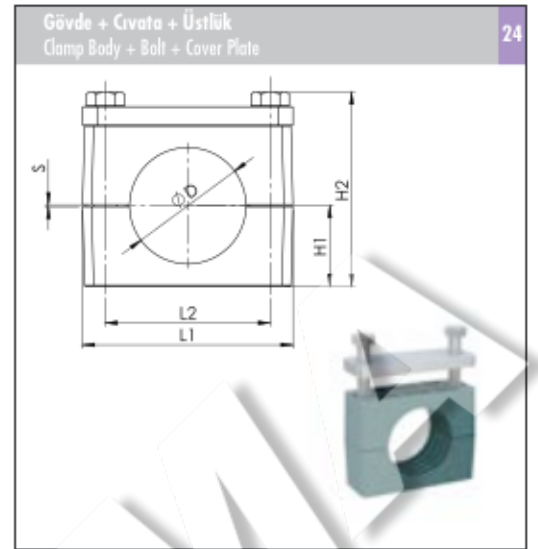
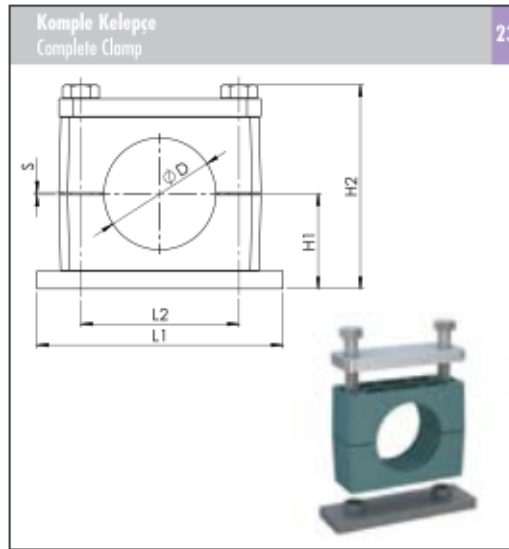
ГИДРАВЛИЧЕСКИЕ СИСТЕМЫ

## AĞIR SERİ HEAVY SERIES

**DIN 3015 / 2**

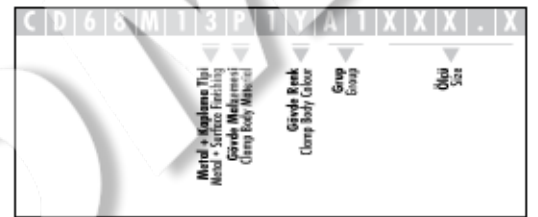


Metal + Kaplama Tipi Metal + Surface Finishing		Gövde Malzemesi Clamp Body Material	
0	Kaplamasız / Uncoated	A	Alüminyum / Aluminum
1	Fosfat / Phosphated / Fe/Znph	N	Polyamid / Polyamide
3	Galvaniz / Galvanized / Fe/Zn 8C Cr3-B	T	TPE
4	CrNi 304 AISI 304	P	Polipropilen / Polypropylene
6	CrNi 316 AISI 316		
9	Çinko Nikel / Zinc Nickel / Fe/ZnNi		



Farklı malzeme talepleriniz için lütfen  
LMC Makina'ya danışınız.

For different material request please consult LMC  
Makina.

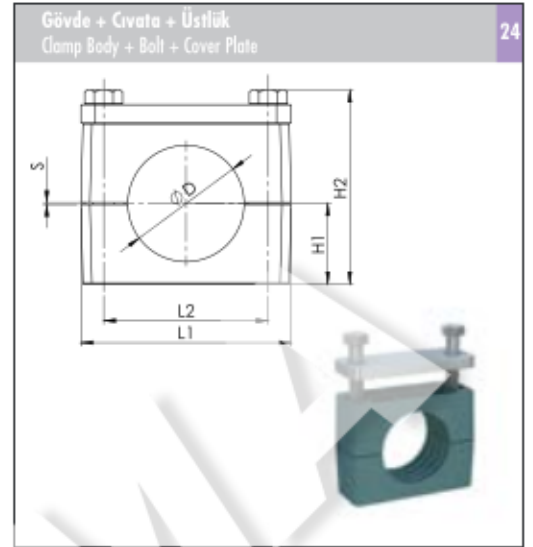
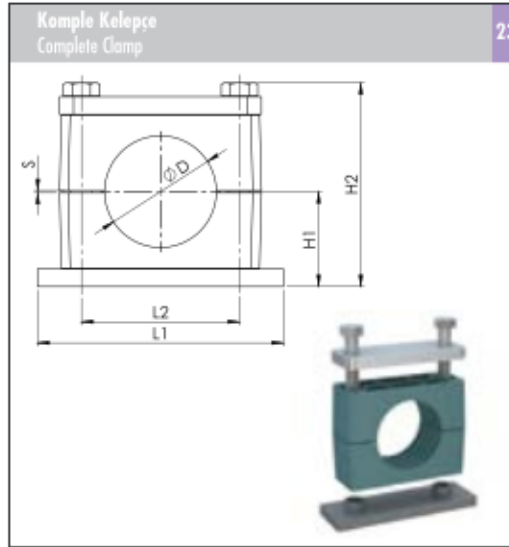


Grup Group	Dış Çap (ØD) O.D. of Pipe / Tube/Hose mm	Anma Çapı (R) Boru Dis Nominal Bore Pipe inch	Dış Çap (ØD) O.D. of Pipe / Tube/Hose inch
A1	6		
	6.4		1/4
	8		5/16
	9.5		3/8
	10	R 1/8	
	12		
	12.7		1/2
	13.5	R 1/4	
	14		
	15		
16		5/8	
17.2	R 3/8		
18			
A2	19		3/4
	20		
	21.3	R 1/2	
	22		7/8
	25		
	25.4		1
	26.9	R 3/4	
	28		
30			
A3	30		
	32		1 1/4
	33.7	R 1	
	35		
	38		1 1/2
	40		
	42	R 1 1/4	
A4	38		1 1/2
	42		
	44.5		1 3/4
	48.3	R 1 1/2	
	50.8		2
	55		
	57		2 1/4
	60.3	R 2	
	63.5		2 1/2
	65		
70		2 3/4	

Ölçü Tablosu Dimension Table							Sipariş Kodu Order Code	
L1	L2	H1	H2	S min.	Genişlik Width			
74	33	24	55	0.6	30	CM40M11P1YA1006.0		
						CM40M11P1YA1006.4		
						CM40M11P1YA1008.0		
						CM40M11P1YA1009.5		
						CM40M11P1YA1010.0		
						CM40M11P1YA1012.0		
						CM40M11P1YA1012.7		
						CM40M11P1YA1013.5		
						CM40M11P1YA1014.0		
						CM40M11P1YA1015.0		
						CM40M11P1YA1016.0		
						CM40M11P1YA1017.2		
						CM40M11P1YA1018.0		
86	45	32	71	0.6	30	CM40M11P1YA2019.0		
						CM40M11P1YA2020.0		
						CM40M11P1YA2021.3		
						CM40M11P1YA2022.0		
						CM40M11P1YA2025.0		
						CM40M11P1YA2025.4		
						CM40M11P1YA2026.9		
						CM40M11P1YA2028.0		
						CM40M11P1YA2030.0		
						CM40M11P1YA3030.0		
CM40M11P1YA3032.0								
CM40M11P1YA3033.7								
CM40M11P1YA3035.0								
CM40M11P1YA3038.0								
CM40M11P1YA3040.0								
CM40M11P1YA3042.0								
140	90	54.5	117	2	45	CM40M11P1YA4038.0		
						CM40M11P1YA4042.0		
						CM40M11P1YA4044.5		
						CM40M11P1YA4048.3		
						CM40M11P1YA4050.8		
						CM40M11P1YA4055.0		
						CM40M11P1YA4057.0		
						CM40M11P1YA4060.3		
						CM40M11P1YA4063.5		
						CM40M11P1YA4065.0		
CM40M11P1YA4070.0								

Ölçü Tablosu Dimension Table							Sipariş Kodu Order Code	
L1	L2	H1	H2	S min.	Genişlik Width			
55	33	16	47	0.6	30	CD68M13P1YA1006.0		
						CD68M13P1YA1006.4		
						CD68M13P1YA1008.0		
						CD68M13P1YA1009.5		
						CD68M13P1YA1010.0		
						CD68M13P1YA1012.0		
						CD68M13P1YA1012.7		
						CD68M13P1YA1013.5		
						CD68M13P1YA1014.0		
						CD68M13P1YA1015.0		
						CD68M13P1YA1016.0		
						CD68M13P1YA1017.2		
						CD68M13P1YA1018.0		
70	45	24	63	0.6	30	CD68M13P1YA2019.0		
						CD68M13P1YA2020.0		
						CD68M13P1YA2021.3		
						CD68M13P1YA2022.0		
						CD68M13P1YA2025.0		
						CD68M13P1YA2025.4		
						CD68M13P1YA2026.9		
						CD68M13P1YA2028.0		
CD68M13P1YA2030.0								
85	60	30	75	0.6	30	CD68M13P1YA3030.0		
						CD68M13P1YA3032.0		
						CD68M13P1YA3033.7		
						CD68M13P1YA3035.0		
						CD68M13P1YA3038.0		
						CD68M13P1YA3040.0		
						CD68M13P1YA3042.0		
115	90	44.5	107	2	45	CD68M13P1YA4038.0		
						CD68M13P1YA4042.0		
						CD68M13P1YA4044.5		
						CD68M13P1YA4048.3		
						CD68M13P1YA4050.8		
						CD68M13P1YA4055.0		
						CD68M13P1YA4057.0		
						CD68M13P1YA4060.3		
						CD68M13P1YA4063.5		
						CD68M13P1YA4065.0		
CD68M13P1YA4070.0								

Metal + Kaplama Tipi Metal + Surface Finishing		Gövde Malzemesi Clamp Body Material	
0	Kaplanmaz / Uncoated	A	Alüminyum / Aluminum
1	Fosfat / Phosphated / Fe/Znph	N	Polyamid / Polyamide
3	Galvaniz / Galvanized / Fe/Zn BC Cr3-B	T	TPE
4	CrNi 304 AISI 304	P	Polipropilen / Polypropylene
6	CrNi 316 AISI 316		
9	Çinko Nikel / Zinc Nickel Fe/ZnNi		



Farklı malzeme talepleriniz için lütfen LMC Makina'ya danışınız.

For different material request please consult LMC Makina.

C	M	4	0	M	I	I	P	I	Y	A	I	X	X	X	.	X

Metal + Kaplama Tipi / Metal + Surface Finishing  
 Gövde Malzemesi / Clamp Body Material  
 Grup / Group  
 Ölçü / Size

C	D	6	8	M	I	3	P	I	Y	A	I	X	X	X	.	X

Metal + Kaplama Tipi / Metal + Surface Finishing  
 Gövde Malzemesi / Clamp Body Material  
 Grup / Group  
 Ölçü / Size

Grup	Dış Çap (ØD)	Anma Çapı (R) Boru Dış	Dış Çap (ØD)
Group	O.D. of Pipe / Tube / Hose mm	Nominal Bore Pipe inch	O.D. of Pipe / Tube / Hose inch
A5	65		
	70		
	73	R 2 1/2	2 7/8
	76.1	R 2 1/2	3
	80		
A6	82.5		3 1/4
	88.9	R 3	3 1/2
	88.9	R 3	3 1/2
	100		
	101.6	R 3 1/2	4 1/4
A7	108	R 4	5
	114.3		5 1/4
	127		5 1/4
	133		5 1/4
	139.7	R 5	6
A8	152.4		6 1/4
	159		6 1/2
	165	R 6	7
	168.3	R 6	7 5/8
	177.8		8 1/2
A9	193.7		8 1/2
	216	R 8	8 1/2
	219.1	R 8	8 1/2
	244.5		
	273	R 10	10
A10	323.9	R 12	12
	355.6	R 14	14
	406.4	R 16	16

Ölçü Tablosu						Sipariş Kodu	
Dimension Table						Order Code	
L1	L2	H1	H2	S	Genişlik		
180	122	70	150	2	60	CM40M11P1YA5065.0	
						CM40M11P1YA5070.0	
						CM40M11P1YA5073.0	
						CM40M11P1YA5076.1	
						CM40M11P1YA5080.0	
						CM40M11P1YA5082.5	
						CM40M11P1YA5088.9	
						CM40M11P1YA6088.9	
						CM40M11P1YA6100.0	
						CM40M11P1YA6101.6	
						CM40M11P1YA6108.0	
						CM40M11P1YA6114.3	
						CM40M11P1YA6127.0	
						CM40M11P1YA6133.0	
						CM40M11P1YA7133.0	
						CM40M11P1YA7139.7	
						CM40M11P1YA7152.4	
						CM40M11P1YA7159.0	
						CM40M11P1YA7165.0	
						CM40M11P1YA7168.3	
						CM40M11P1YA8168.3	
						CM40M11P1YA8177.8	
						CM40M11P1YA8193.7	
						CM40M11P1YA8216.0	
						CM40M11P1YA8219.0	
						CM40M11P1YA9219.0	
						CM40M11P1YA9244.5	
						CM40M11P1YA9273.0	
						CM40M11P1YA9323.9	
						CM40M11P1YA0355.6	
						CM40M11P1YA0406.4	

Ölçü Tablosu						Sipariş Kodu	
Dimension Table						Order Code	
L1	L2	H1	H2	S	Genişlik		
154	122	60	140	2	60	CD68M13P1YA5065.0	
						CD68M13P1YA5070.0	
						CD68M13P1YA5073.0	
						CD68M13P1YA5076.1	
						CD68M13P1YA5080.0	
						CD68M13P1YA5082.5	
						CD68M13P1YA5088.9	
						CD68M13P1YA6088.9	
						CD68M13P1YA6100.0	
						CD68M13P1YA6101.6	
						CD68M13P1YA6108.0	
						CD68M13P1YA6114.3	
						CD68M13P1YA6127.0	
						CD68M13P1YA6133.0	
						CD68M13P1YA7133.0	
						CD68M13P1YA7139.7	
						CD68M13P1YA7152.4	
						CD68M13P1YA7159.0	
						CD68M13P1YA7165.0	
						CD68M13P1YA7168.3	
						CD68M13P1YA8168.3	
						CD68M13P1YA8177.8	
						CD68M13P1YA8193.7	
						CD68M13P1YA8216.0	
						CD68M13P1YA8219.0	
						CD68M13P1YA9219.0	
						CD68M13P1YA9244.5	
						CD68M13P1YA9273.0	
						CD68M13P1YA9323.9	
						CD68M13P1YA0355.6	
						CD68M13P1YA0406.4	